



333 Bayview Avenue
Amityville, New York 11701
For Sales and Repairs, (800) 645-9445
For Technical Service, (800) 645-9440
Publicly traded on NASDAQ Symbol: NSSC

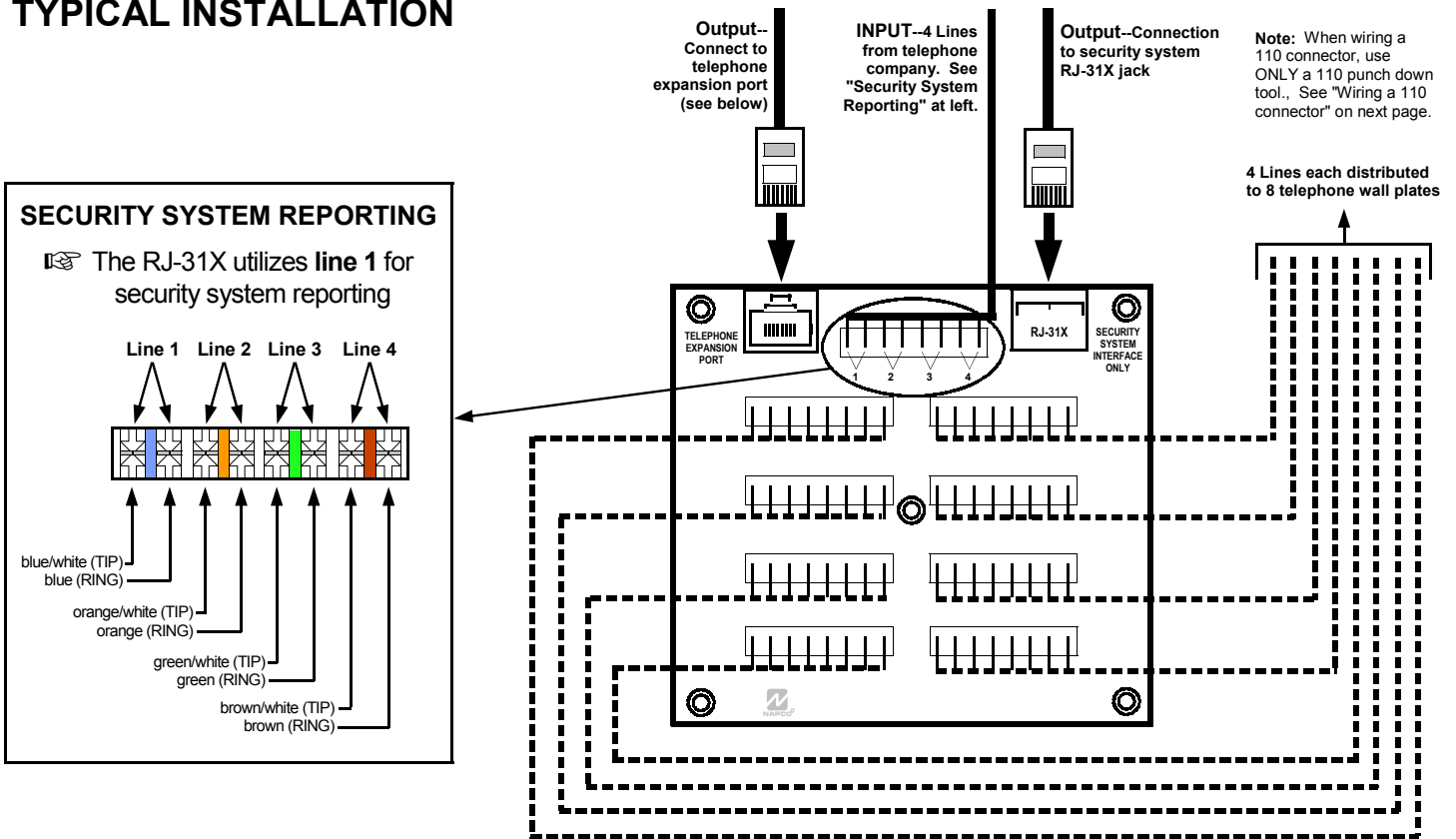
© NAPCO 2005

NAPCO SMT4/6 TELEPHONE MODULE INSTALLATION AND WIRING INSTRUCTIONS

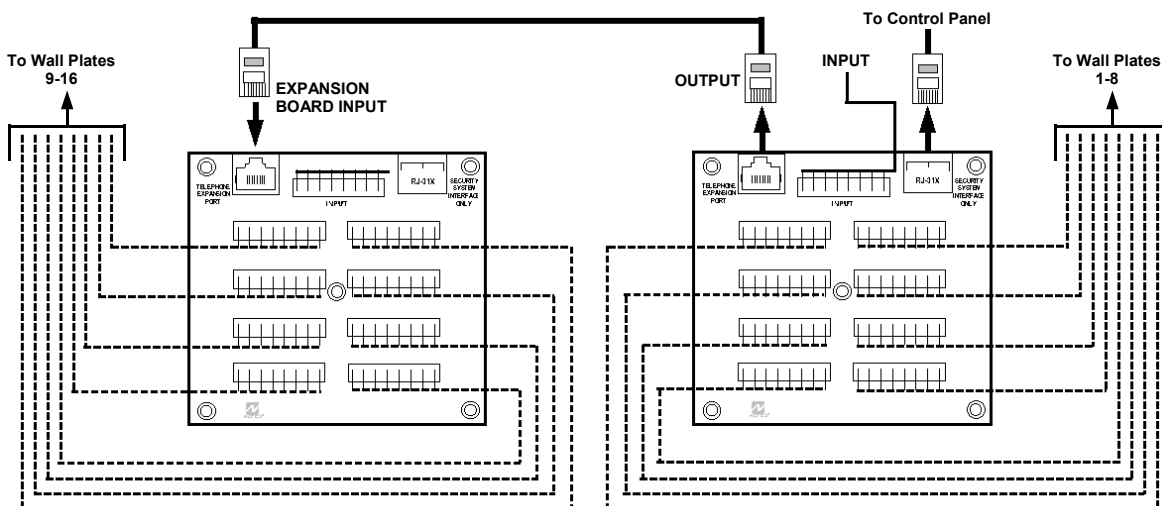
WI1407A 7/05

The SMT4/6 Telephone Module provides distribution of 1-4 telephone lines to a maximum of 8 locations. An RJ-31X jack is provided for your security system dialer. A second SMT4/6 Module may be used to provide expansion up to a maximum of 16 locations. Wiring installation examples for one and two modules are shown in the diagrams below.

TYPICAL INSTALLATION



TELEPHONE EXPANSION BOARD CONFIGURATION

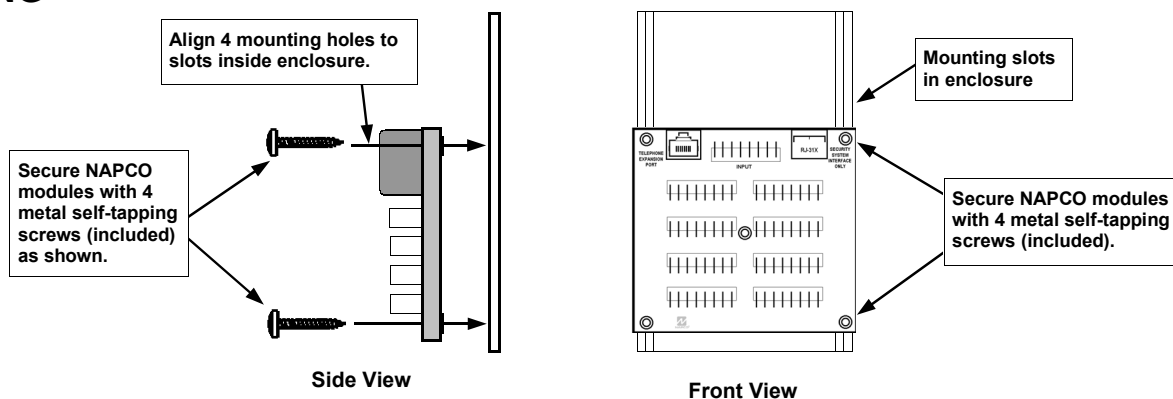


BEFORE PROCEEDING, PLEASE READ THIS IMPORTANT SAFETY INFORMATION:

CAUTION - When installing or modifying telephone lines:

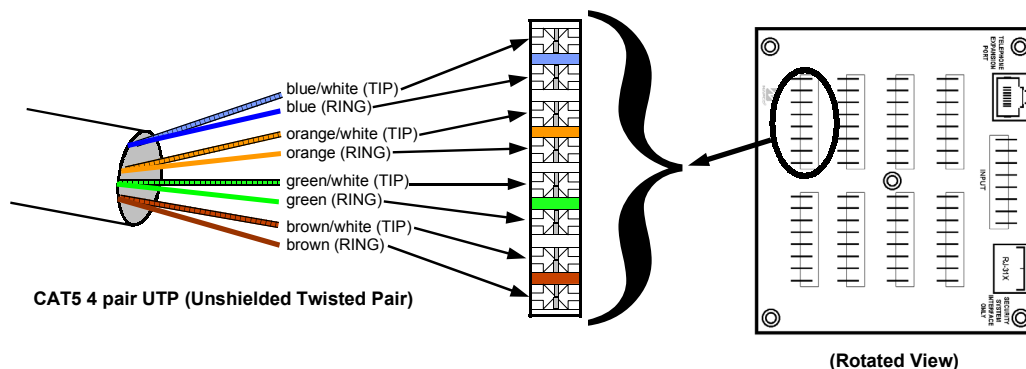
- Never install telephone wiring in wet locations or during a lighting storm;
- Never touch uninsulated telephone wires or terminals unless the telephone line has been disconnected at the network interface.

MOUNTING



WIRING A 110 CONNECTOR & COLOR CODES

The 110 connector is a sophisticated insulation displacement connection system. To push the wire between the contact blades, use ONLY a 110 punch down tool. Using a screwdriver or needle nose pliers may not seat the wire properly and can damage the contacts.



MODULAR CONNECTORS

8 Position Connector

Eight-wire RJ-45 connectors are used with 10BaseT and 100BaseT Ethernet networks and structured wiring of telephone and data lines. We recommend that for residential use, the RJ-45 connectors be wired to the TIA T568A standard, as shown below:

6 Position Connectors

Six-wire RJ-11 connectors are used for single line telephones, answering machines and modems. Six-wire RJ-14 connectors are used for dual line telephones and answering machines. Six-wire RJ-25 connectors are more rare, and are used for 3 line Key Service Units (the cabinet that contains the electronics for a key telephone system).

WIRING RJ-45 CONNECTORS (TIA T568A STANDARD)					
PIN	COLOR	PAIR	DESCRIPTION	RING / TIP	DIAGRAM
1	white/green	3	RecvData +	TIP	
2	green	3	RecvData -	RING	
3	white/orange	2	TxData +	TIP	
4	blue	1	Unused	RING	
5	white/blue	1	Unused	TIP	
6	orange	2	TXData -	RING	
7	white/brown	4	Unused	TIP	
8	brown	4	Unused	RING	

Note: Odd pin numbers are always the striped wires.