



NAPCO®

333 Bayview Avenue
Amityville, New York 11701
For Sales and Repairs, (800) 645-9445
For Technical Service, (800) 645-9440
Publicly traded on NASDAQ Symbol: NSSC

© NAPCO 2005

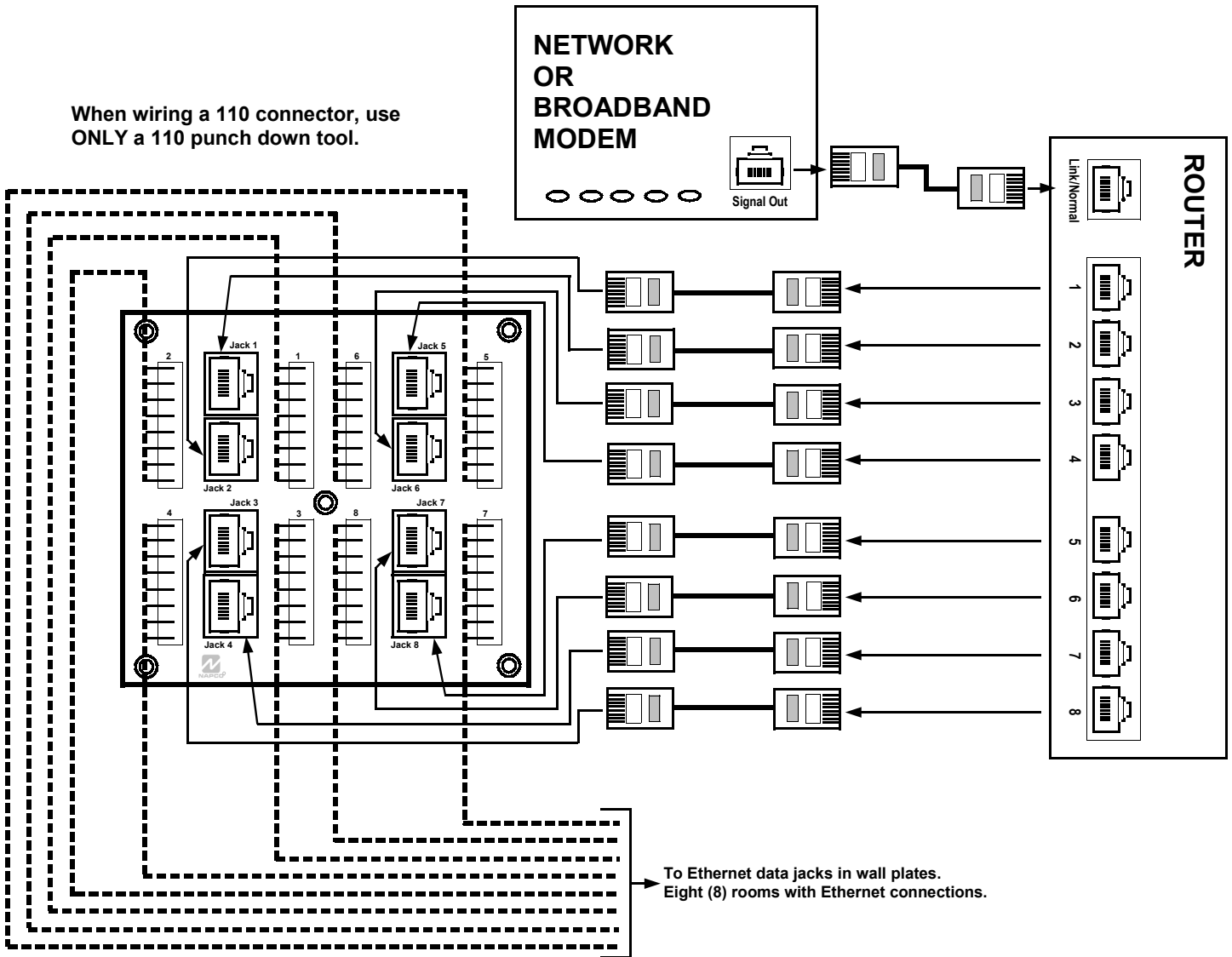
NAPCO SMTD-6 INSTALLATION AND WIRING INSTRUCTIONS

WI1406A 7/05

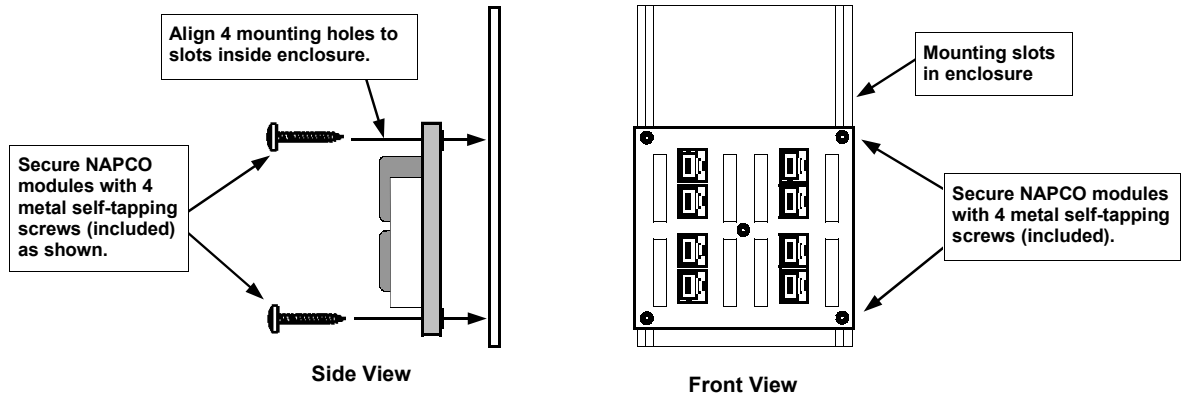
The SMTD-6 is a passive 8 Port Distribution Module that allows you to create a home data network (all users share bandwidth) interconnecting all computers in the home or distribute high speed wired Internet access to any room. The SMTD-6 can be wired in a variety of different ways. The examples below are typical:

TYPICAL INSTALLATION

When wiring a 110 connector, use
ONLY a 110 punch down tool.

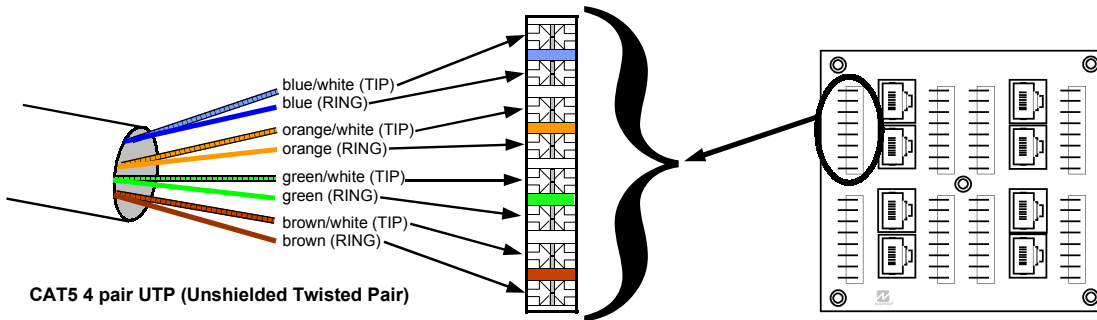


MOUNTING



WIRING A 110 CONNECTOR & COLOR CODES

The 110 connector is a sophisticated insulation displacement connection system. To push the wire between the contact blades, use ONLY a 110 punch down tool. Using a screwdriver or needle nose pliers may not seat the wire properly and can damage the contacts.



MODULAR CONNECTORS

8 Position Connector

Eight-wire RJ-45 connectors are used with 10BaseT and 100BaseT Ethernet networks and structured wiring of telephone and data lines. We recommend that for residential use, the RJ-45 connectors be wired to the TIA T568A standard, as shown below:

WIRING RJ-45 CONNECTORS (TIA T568A STANDARD)					
PIN	COLOR	PAIR	DESCRIPTION	RING / TIP	DIAGRAM
1	white/green	3	RecvData +	TIP	
2	green	3	RecvData -	RING	
3	white/orange	2	TxData +	TIP	
4	blue	1	Unused	RING	
5	white/blue	1	Unused	TIP	
6	orange	2	TXData -	RING	
7	white/brown	4	Unused	TIP	
8	brown	4	Unused	RING	

Note: Odd pin numbers are always the striped wires.